



LED Docklight

15 WATT FIXTURE

The Energy Focus LED DockLight features a durable exterior that holds up to the toughest work environments. Perfect light directly on target where you need it. Fixtures come standard in “safety yellow” color for maximum visibility. Attaches directly to standard dock light arms for easy retrofit.

FEATURES AND BENEFITS

- 15W
- Highly impact resistant
- No glass lamps to break or replace
- Sustainable lighting with powerful output
- Several cord configurations; 110-240, 277VAC
- LTL tested in accordance with LM-79 standards for electrical and photometric measurements of led fixtures



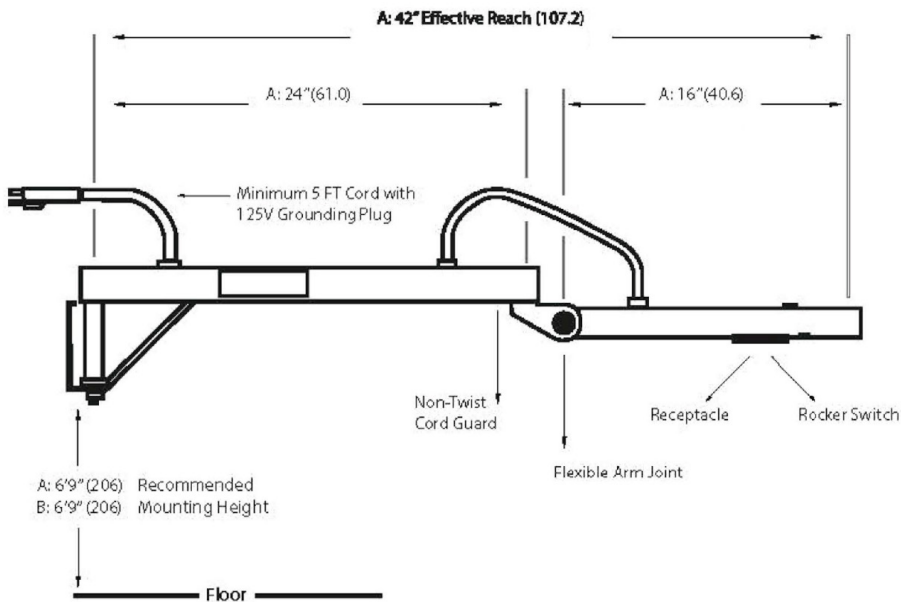
PRODUCT SPECIFICATIONS

Housing	Die cast aluminum for thermal management
Swivel	Friction joint allows 270° angle adjustment
Body	Safety yellow polyester powder coat paint
Input Voltage	110-240, 277VAC, 50/60 Hz
Driver	Constant current electronic driver
Weight	4.8lbs
Optical System	High intensity LED emitters with custom focusing options
CRI	70
Lens	Impact resistant, optically clear acrylic lens with silicone gasket
Environmental Requirements	Operating temp: -20 to 45°C Storage temp: -30 to 60°C Working humidity: 30% to 85% Storage humidity: 10% to 90% Non-corrosive environments
Warranty	5 Years

PART NUMBER	POWER	BEAM SPREAD	COLOR TEMP	MOUNT/ FINISH	ELECTRICAL CONNECTION
LEDDL-765-SFL-15-PNS-SY	15W	Special Flood	6500K	Safety: Yellow	10' cord, std. male plug (NEMA 5-15) wet rated
LEDDL-765-SFL-15-PIS-SY	15W	Special Flood	6500K	Safety: Yellow	10' cord, hooded male plug (IEC 60320-C14 plug) wet rated
LEDDL-765-SFL-15-SNS-SY	15W	Special Flood	6500K	Safety: Yellow	Switched 10' cord, std. male plug (NEMA 5-15) damp rated
LEDDL-765-SFL-15-SIA-SY	15W	Special Flood	6500K	Safety: Yellow	Switched 16" cord, hooded male plug (IEC 60320-C14) damp rated
LEDDL-765-SFL-15-HWS-SY	15W	Special Flood	6500K	Safety: Yellow	10' cord, hardwire leads wet rated

LED Docklight Arm Series

PART NUMBER	TYPE	ARM LENGTH
LEDDL-ARM-24	ARM	24", Articulated
LEDDL-ARM-42	ARM	42", Articulated
LEDDL-ARM-60	ARM	60", Articulated



PRODUCT SPECIFICATIONS

Arm	1.5" square steel tube arms with wrist action zinc plated steel joint. Washers at all joints and bushings at bracket joints for smooth operation, greater stability, and longer wear.
Finish	Safety yellow for maximum visibility; theroset powder coat paint
Mount Bracket	3/16" thick 3" x 5" zinc plated-steel mounting bracket
Cords	Wear resistant 3-conductor AC cord from arm, fits directly into standard outlet. Hooded male plug on light head cord plugs into female recepticle in arm.
Switch	On-Off rocker switch and IEC type recepticle

©2020 Energy Focus, Inc. All Rights Reserved. Energy Focus, Inc. reserves the right to change specifications for product improvement without prior notice.

