



Industrial Downlight

FLUORESCENT RETROFIT LAMP

For: incandescent, fluorescent, metal-halide downlight replacement

Energy Focus Industrial Downlight for incandescent, fluorescent, and metal-halide downlight replacement. Conversion from conventional lighting can equate to over 50% energy savings. Lightweight, aesthetic, clean-lined design also incorporates frosted lens. Energy Star rated.

FEATURES AND BENEFITS

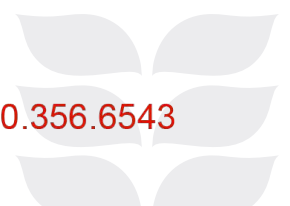
- Easy install
- Efficacy of 100lm/W
- Flicker-Free LED Lighting*
- Options of 0-10v or Triac Dimming
- Aesthetic brand look, clean lined structure
- Quick disconnect for fast and easy installation
- Ballast plate replaces entire ballast and covers the existing J box opening

*Only for 0-10v Dimming

PRODUCT SPECIFICATIONS

Length	6",8",10" and 12" versions
Body	Aluminum
Lens	Specular aluminum reflector with frosted/diffuse lens
Mounting	Spring clamps
Input Voltage	100-277 VAC 120 VAC (only Triac dimming)
Driver	External
Available colors	3500K 4000K 5000K
CRI	>80
Dimming	AHD = 0-10V Dimming: Current source: 2.0mA AHTD = Triac Dimming
Lifetime	5-year warranty
Environmental Requirements	Operating temp: -20° to 50°C Storage temp: -30° to 60°C Working humidity: 30% to 85% Storage humidity: 10% to 90% Non-corrosive environments
Power Factor	>0.9
Beam Angle	6" = 85° 8" = 85° 10" = 85° 12" = 70°

©2020 Energy Focus, Inc. All Rights Reserved. Energy Focus, Inc. reserves the right to change specifications for product improvement without prior notice.

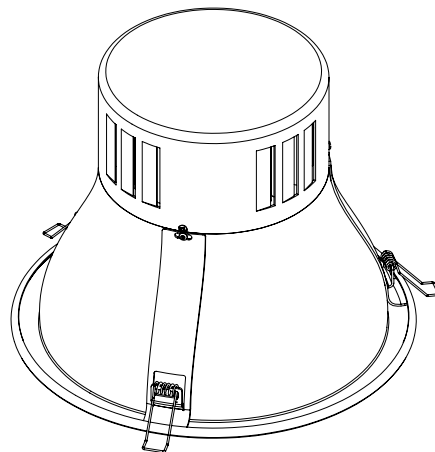


PRODUCT SPECIFICATION

PART NUMBER	SIZE NOMINAL	POWER	LUMINOUS FLUX	UL PART NUMBER
LEDIDL-8XX-0608-AHD	6"	8W	800lm	3CC112306
LEDIDL-8XX-0608-AHTD	6"	8W	800lm	3CD112306
LEDIDL-8XX-0612-AHD	6"	12W	1200lm	3CC112306
LEDIDL-8XX-0618-AHD	6"	18W	1800lm	3CC118306
LEDIDL-8XX-0808-AHD	8"	8W	800lm	3CC112308
LEDIDL-8XX-0808-AHTD	8"	8W	800lm	3CD112308
LEDIDL-8XX-0812-AHD	8"	12W	1200lm	3CC112308
LEDIDL-8XX-0818-AHD	8"	18W	1800lm	3CC118308
LEDIDL-8XX-0824-AHD	8"	24W	2400lm	3CC124308
LEDIDL-8XX-1018-AHD	10"	18W	1800lm	3CC118310
LEDIDL-8XX-1018-AHTD	10"	18W	1800lm	3CD118310
LEDIDL-8XX-1024-AHD	10"	24W	2400lm	3CC124310
LEDIDL-8XX-1050-AHD	10"	50W	5000lm	3CC150310
LEDIDL-8XX-1245-AHD	12"	45W	4500lm	3CC145312
LEDIDL-8XX-1260-AHD	12"	60W	6000lm	3CC160312

XX refers to the option for 3500K, 4000K or 5000K color temperature. (Replace XX with 35, 40 or 50 when selecting).

WIRING DIAGRAM



©2020 Energy Focus, Inc. All Rights Reserved. Energy Focus, Inc. reserves the right to change specifications for product improvement without prior notice.

