



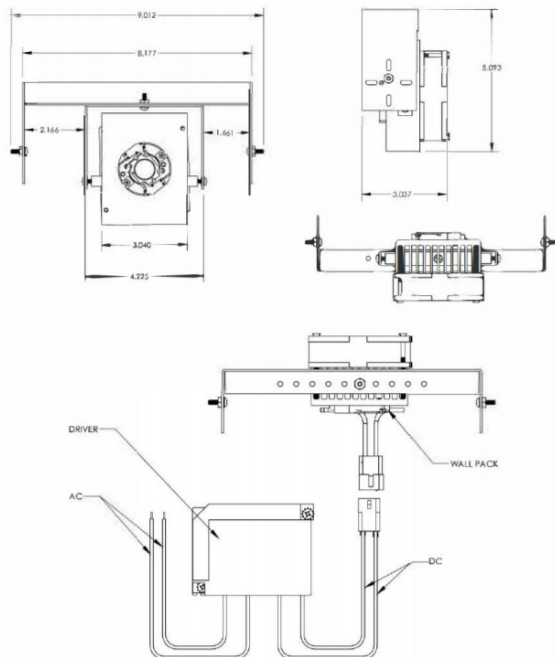
LED Retrofit Kit

MEDIUM - 50 WATT

50 Watt Medium LED Retrofit Kit designed for various applications, including use with Energy Focus's LED Wallpacks for outdoor installations. Offers a fast and easy method of upgrading existing area lighting fixtures without the added cost of purchasing new fixtures.

FEATURES AND BENEFITS

- Can be installed in wall packs, show boxes, street lights, flood lights, and canopy housing
- High Lumen output with less wattage requirement compared to traditional lighting



PRODUCT SPECIFICATIONS

| | |
|-----------------------|---|
| Product Number | LEDRFK-DW-VFL-MD |
| UL Rating | Dry location only. Complete installation exposure rating is dependant upon the integrity of the existing enclosure |
| Power | 52W |
| Lumen Output | 4900 lm |
| Efficacy | 93 lm/W |
| Operating Temperature | -20 to 50° C |
| Power Factor | >.9 |
| CCT | 5000K |
| Power Factor | >0.9 |
| CRI | >70 |
| Weight | Complete package = 2.3lb (36.8oz) LED Light Engine w/ yoke = .90lb (14.4oz) Driver = .85lb (13.6 oz) Main bracket = .55lb (8.8 oz) |
| Lifetime | 50,000 hours (L70) |
| Input Voltage | 100-240VAC, 0.5A 50/60 Hz 277VAC, 0.2A 50/60 Hz |
| Certification | CE, RoHs, UL, cUL, DLC (in canopy fixture) |
| Warranty | 5 Years |

