



EFL Troffer

DIRECT WIRE T8 TUBULAR LED LUMINAIRE

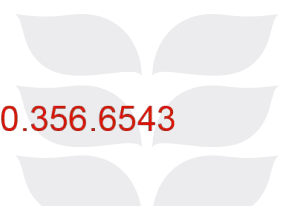
The EFL Troffer LED Fixture is a universal, sturdy structure for retrofit or new construction that is aesthetically designed to support one, two or three of our direct-wire T8 LED lamps. The steel body provides a solid, reliable, installation. The troffers are available in 2' x 2' and 2' x 4' configurations provide top-of-the-line lumen output out of the complete fixture while supporting the ease of maintenance of a tube-based fixture.

FEATURES AND BENEFITS

- UL file number: E482681
- Single-ended power; INPUT end is electrically connected, the other end is not
- The EFL TROFFER fixture is factory configured for direct wire lamps. When coupled with Energy Focus' high performance TLEDs, it can achieve standard luminous levels with only three tubes. The novel socket mounting allows lamps to angle away from the down line, increasing light levels between fixtures, making it an excellent choice for the replacement of a parabolic louvered troffer.

PRODUCT SPECIFICATIONS

Size	2'x2' and 2'x4'
Supports	Up to three T8 TLED lamps
Connection	UL LED T8 ready, non-shunted
Input Voltage	100-277VAC, 50/60 Hz
Body	22 gauge (0.6mm) steel
Available Colors	3500K 4000K 5000K
CRI	>80
Finish	White enamel
Mounting	Suspension, for standard grid ceiling
Lens	Frosted striated lens, 90% transmission
Environmental Requirements	Operating temp: -20 to +50°C Storage temp: -30 to +60°C Working humidity: 30% to 85% Storage humidity: 10% to 90% Non-corrosive environments
Warranty	5 Years



PRODUCT SPECIFICATION

PART NUMBER	SIZE	WEIGHT (with lamps)	FIXTURE L INCHES	FIXTURE W INCHES	FIXTURE H INCHES
LEDFDI-23	2 x 2'	12 LBS	23.83	23.82	4.53
LEDFDI-43	2 x 4'	21 LBS	47.83	23.82	4.53

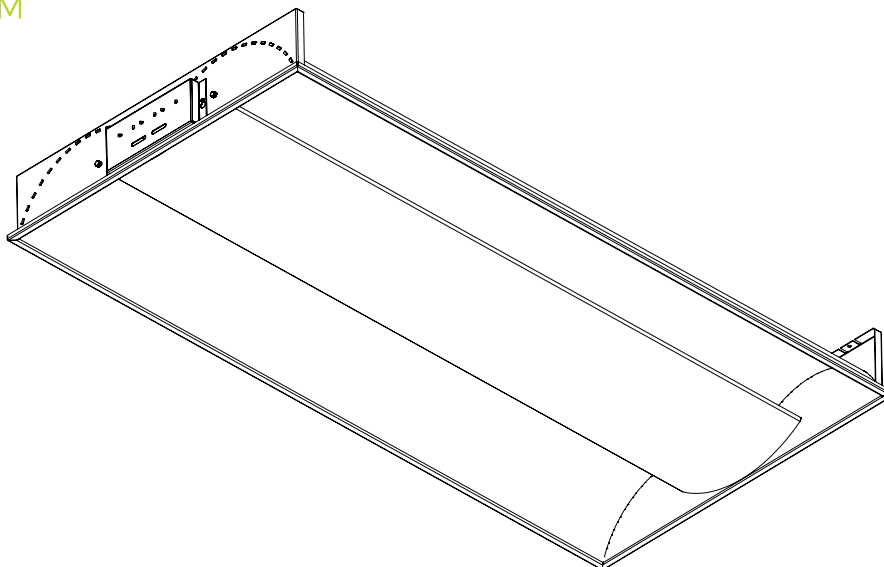
MUST BE SOLD WITH BELOW LAMPS

PART NUMBER	SIZE NOMINAL	POWER	LUMINOUS FLUX
LEDFLT8-8XX-208-228F	(24") 2'	8W	960lm
LEDFLT8-8XX-413-338F	(48") 4'	13W	1560lm
LEDFLT8-8XX-418-388F	(48") 4'	18W	2160lm
LEDFLT8-8XX-418-388C	(48") 4'	18W	2340lm

XX refers to the option for 3500K, 4000K or 5000K color temperature. (Replace XX with 35, 40 or 50 when selecting).

LED lamps/tubes not installed in troffer prior to shipment. Each troffer fixture is designed to hold up to three Energy Focus LED Tubes depending on the light level desired.

WIRING DIAGRAM



©2020 Energy Focus, Inc. All Rights Reserved. Energy Focus, Inc. reserves the right to change specifications for product improvement without prior notice.

